



SOLVANG TECHNOLOGY INC.

www.solvangtech.com

Email : sales@solvangtech.com

0.5-6GHZ 2WAY SMA POWER DIVIDER

RATED TO 10W

P/NO.STI08-0001



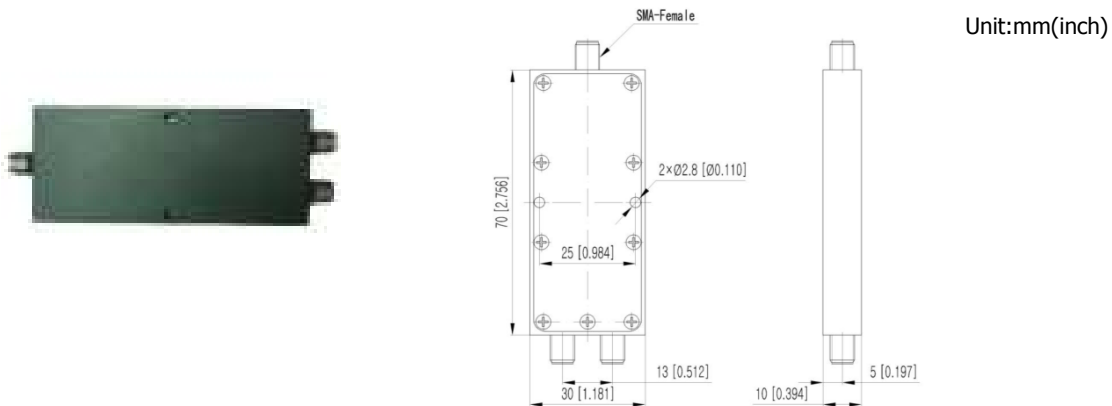
SPECIFICATION

Frequency	0.5-6GHz
Isolation:	18dB(Min.)
Insertion Loss:	1.1dB(Max.)(excluding Theoretical Loss:3.0dB)
VSWR:	Input:1.5:1(Max.) Output:1.4:1(Max.)
Power :	10W(Max.)
Amplitude Unbalance:	±0.3dB(Max.)
Phase Unbalance:	±3°(Max.)
Impedance:	50Ohm
Durability:	500 Cycles
Operating Temp.:	-25~65°C

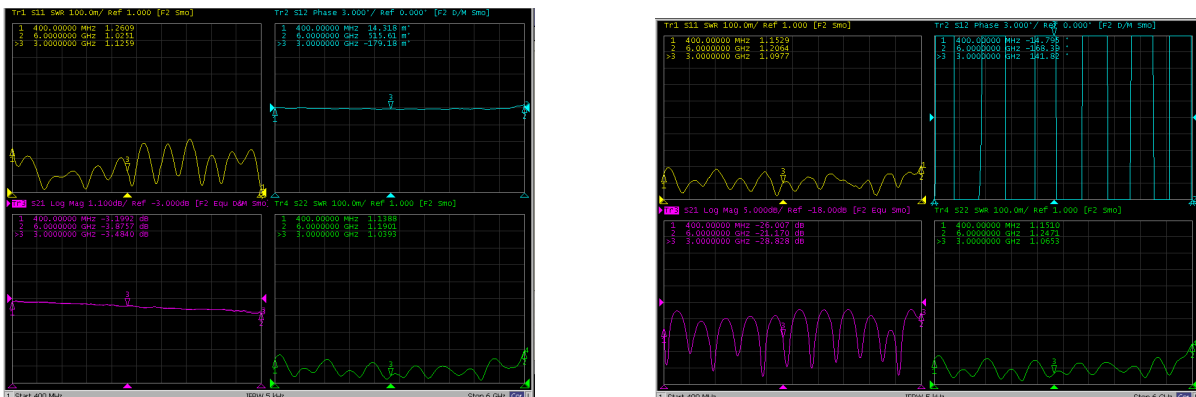
MATERIAL LIST

Part	Material	Plated
Center Conductor	Brass	Gold
SMA Body	Brass	Nickel
Housing	Aluminum	Black

OUTLING DRAWING



TESTING DATA (100% S-PARAMETER TESTED)



Any more request, please contact sales@solvangtech.com. Thank you ~



2-8GHZ 2WAY SMA POWER DIVIDER

RATED TO 10W
P/NO.STI08-0007



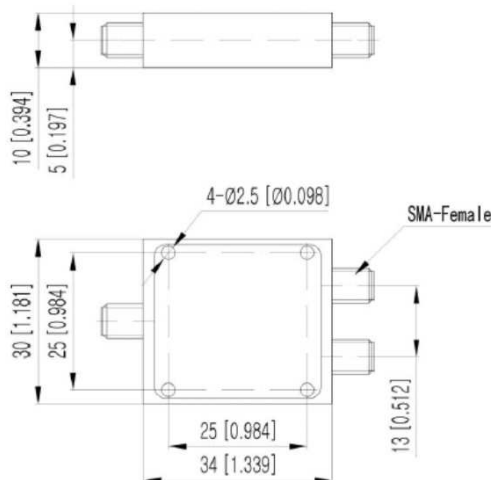
SPECIFICATION

Frequency	2-8GHz
Isolation:	20dB(Min.)
Insertion Loss:	0.6dB(Max.)(excluding Theoretical Loss:3.0dB)
VSWR:	Input:1.3:1(Max.) Output:1.2:1(Max.)
Power :	10W(Max.)
Amplitude Unblance:	±0.3dB(Max.)
Phase Unblance:	±3°(Max.)
Impedance:	50Ohm
Durability:	500 Cycles
Operating Temp.:	-25~65°C

MATERIAL LIST

Part	Material	Plated
SMA Body	Brass	Nickel
Center contact	Brass	Gold
Housing	Aluminum	Paint

OUTLING DRAWING



Unit:mm(inch)

0.5-3GHZ 4WAY SMA POWER DIVIDER

RATED TO 10W

P/NO.ST108-0005



SPECIFICATION

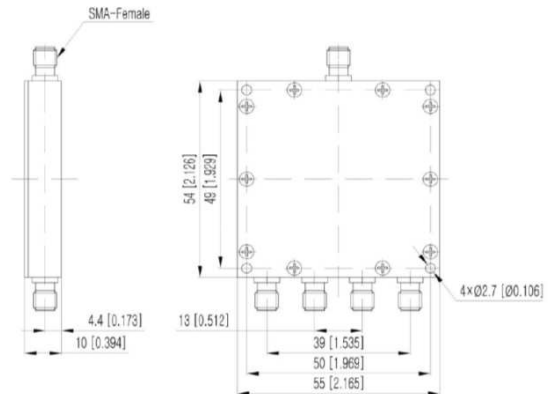
Frequency	0.5~3GHz
Isolation:	20dB(Min.)
Insertion Loss:	1.6dB(Max.)(excluding Theoretical Loss:6.0dB)
VSWR:	Input:1.5:1(Max.) Output:1.4:1(Max.)
Power :	10W(Max.)
Amplitude Unbalance:	±0.5dB(Max.)
Phase Unbalance:	±5°(Max.)
Impedance:	50Ohm
Durability:	500 Cycles
Operating Temp.:	-25~65°C

MATERIAL LIST

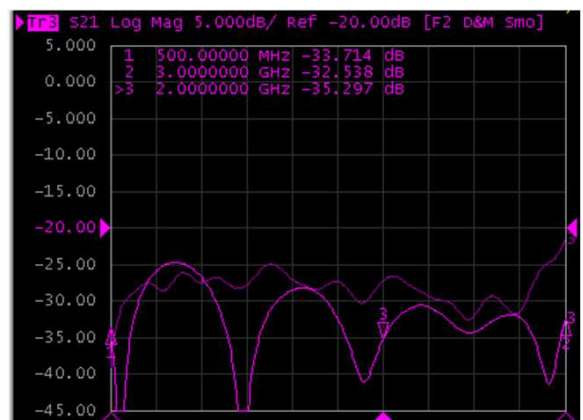
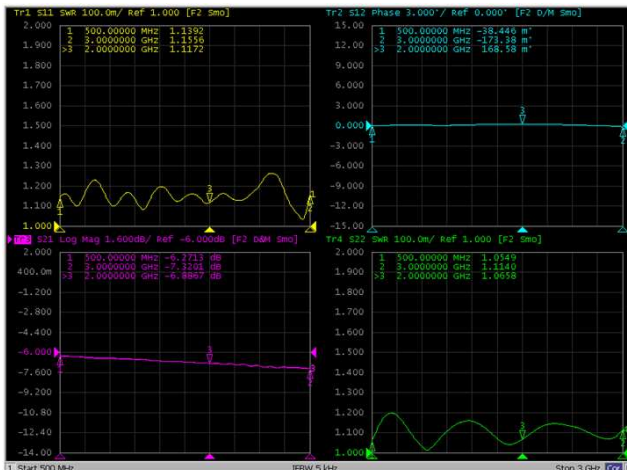
Part	Material	Plated
Center Conductor	Brass	Gold
SMA Body	Brass	Gold
Housing	Aluminum	Blue

OUTLING DRAWING

Unit:mm(inch)



TESTING DATA (100% S-PARAMETER TESTED)



Any more request, please contact sales@solvangtech.com. Thank you ~

2-8GHZ 4WAY SMA POWER DIVIDER

RATED TO 10W

P/NO.STI08-0008



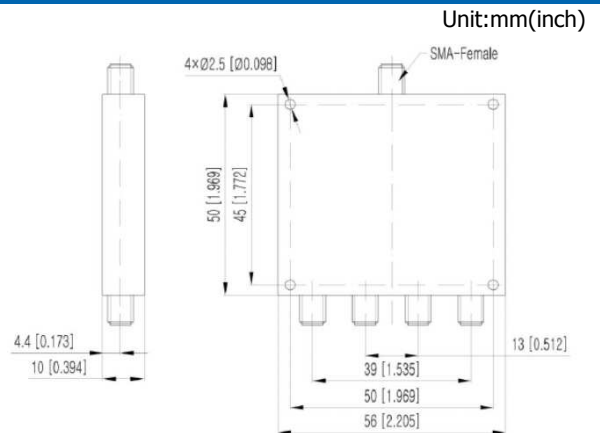
SPECIFICATION

Frequency	2-8GHz
Isolation:	20dB(Min.)
Insertion Loss:	1.4dB(Max.)(excluding Theoretical Loss:6.0dB)
VSWR:	Input:1.4:1(Max.) Output:1.3:1(Max.)
Power :	10W(Max.)
Amplitude Unblance:	±0.3dB(Max.)
Phase Unblance:	±3°(Max.)
Impedance:	50Ohm
Durability:	500 Cycles
Operating Temp.:	-25~65°C

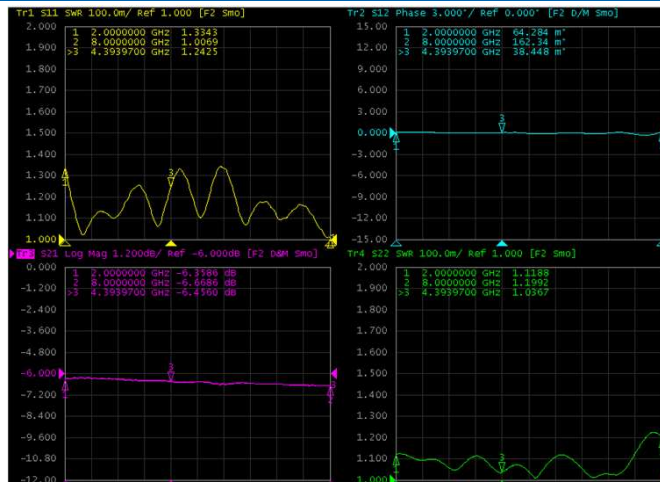
MATERIAL LIST

Part	Material	Plated
SMA Body	Brass	Nickel
Center contact	Brass	Gold
Housing	Aluminum	Paint

OUTLING DRAWING



TESTING DATA (100% S-PARAMETER TESTED)



Any more request, please contact sales@solvangtech.com. Thank you ~